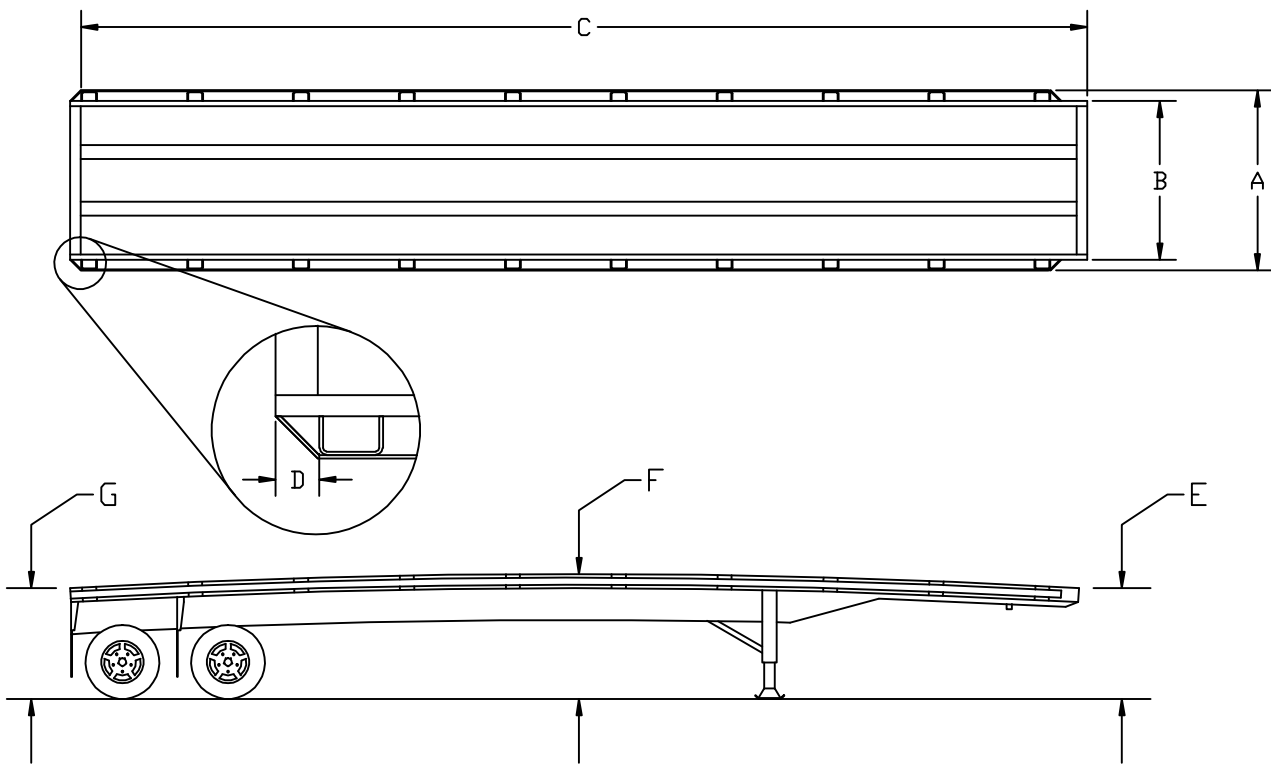


# Tarpstop Fastrak™

## Measurement Guide for Standard Trailers

**Note:**

To ensure an accurate measurement for a Fastrak™ system, the trailer MUST be set at normal 5th wheel operating height (preferably mounted to the main tractor that is to be pulling it). Airbags MUST be fully inflated as well prior to measuring.



- Dimension A - Total width of trailer across rub rails \_\_\_\_\_
- Dimension B - Width of trailer across side rails \_\_\_\_\_
- Dimension C - Length of Trailer (Distance from leading edge of front sill to back edge of rear stake pocket) \_\_\_\_\_
- Dimension D - Distance from back edge of rear stake pocket to end of trailer \_\_\_\_\_
- Dimension E - Deck height measured at nose of trailer \_\_\_\_\_
- Dimension F - Deck height measured at highest point of trailer (usually the middle) \_\_\_\_\_
- Dimension G - Deck height measured at tail of trailer \_\_\_\_\_

Customer \_\_\_\_\_ Order/Quote # \_\_\_\_\_  
 Measured By \_\_\_\_\_ Date \_\_\_\_\_